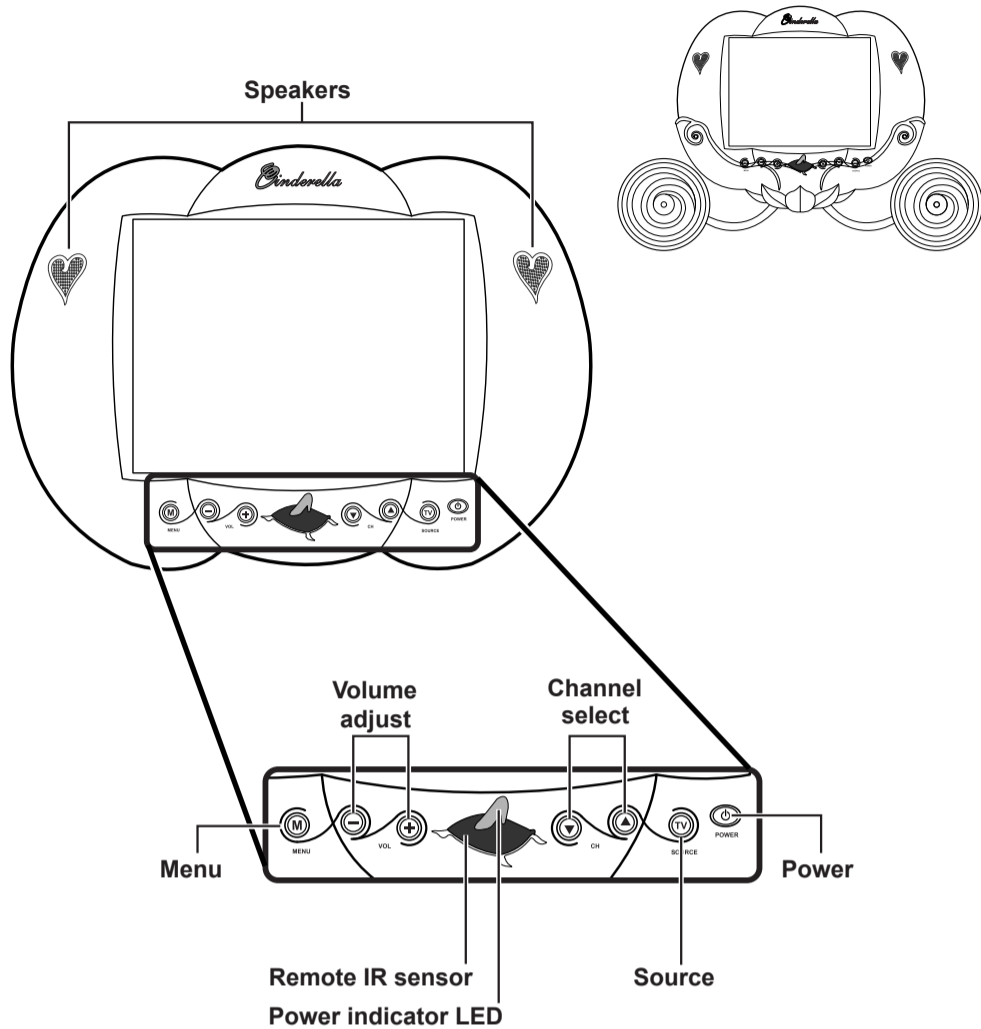
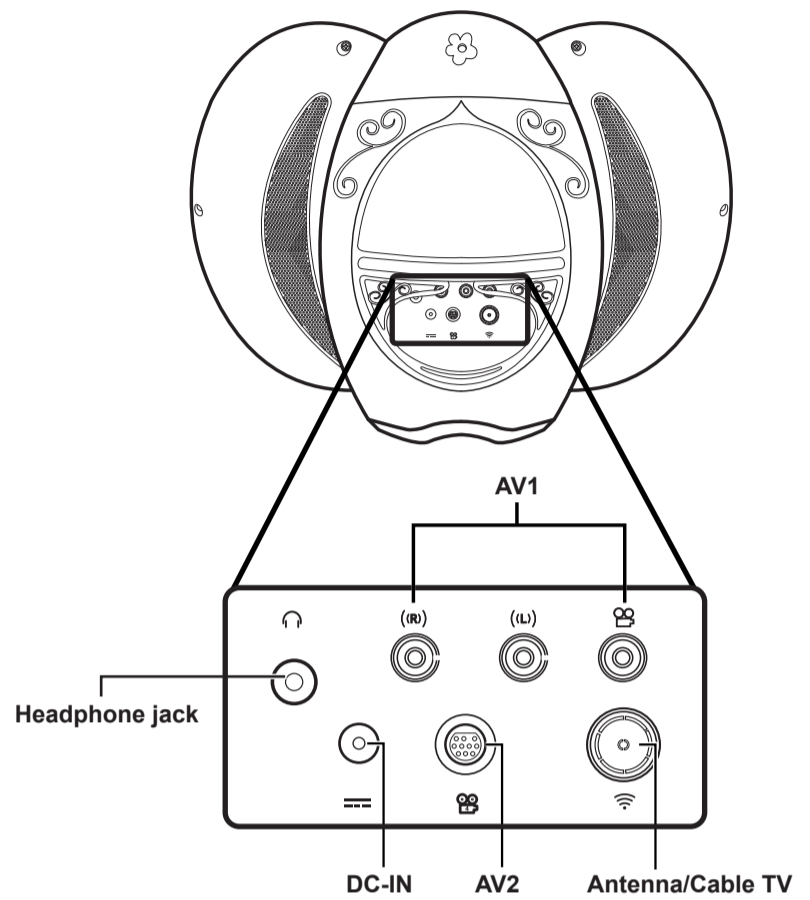


This guide is designed as a reference to help you start using your LCD TV quickly. Please refer to the User's Manual for more detailed installation and safety instructions.

### Front View

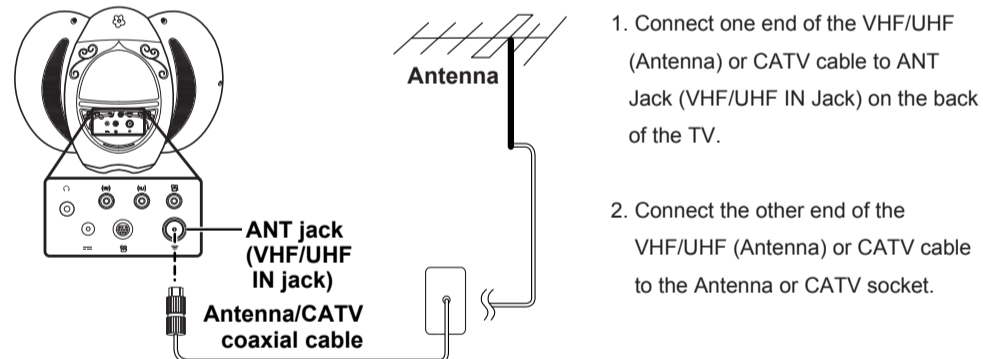


### Rear View

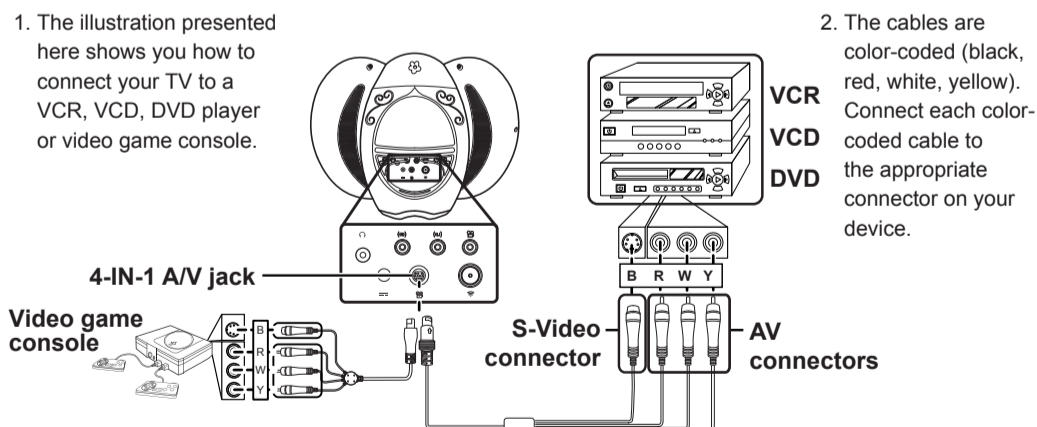


## Making Connections

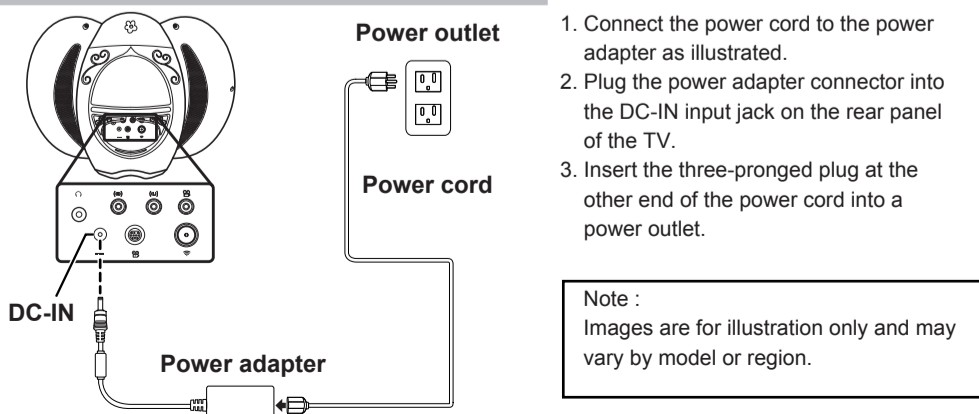
### Connecting to Antenna/Cable TV



### Connecting to a VCR, VCD, DVD Player, or Video Game Console



### Connecting the Power Adapter

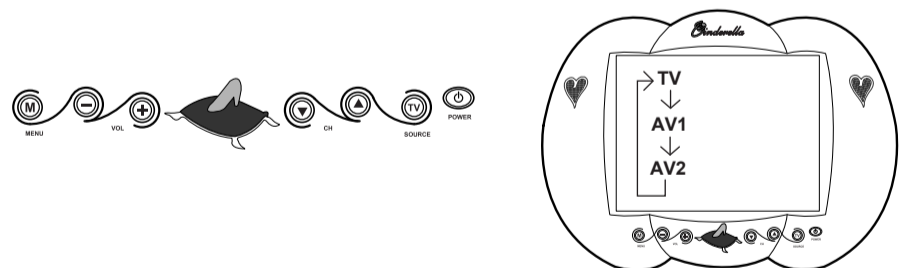


## A/V and Channel Setup

### Selecting A/V Sources

1. Make sure your TV is turned on and a device such as a DVD player is connected.
2. Press the **SOURCE** button on the control panel to select different source signals. TV channel number, AV1, AV2 or AV2s appear on the screen.

Note : AV2s only appears on the screen when S-Video is connected.



### Auto Channel Setup

- Please follow the instructions by using the control panel.
1. Press the **MENU** button to enter the OSD menu.
  2. Use the **CH** button to select "TV".
  3. Press the **VOL +** button to enter the TV setting.
  4. Press the **CH** button until the "Auto Program" feature is selected.
  5. Press the **VOL +** button to begin "Auto Program".
  6. Your television will begin automatically memorizing the available channels.

### Auto Program

